

Model Number: XT25TG30-04  
Product Line: Peerless Gold

Revision: Rev 1\_0  
Date: 10-Sep-09

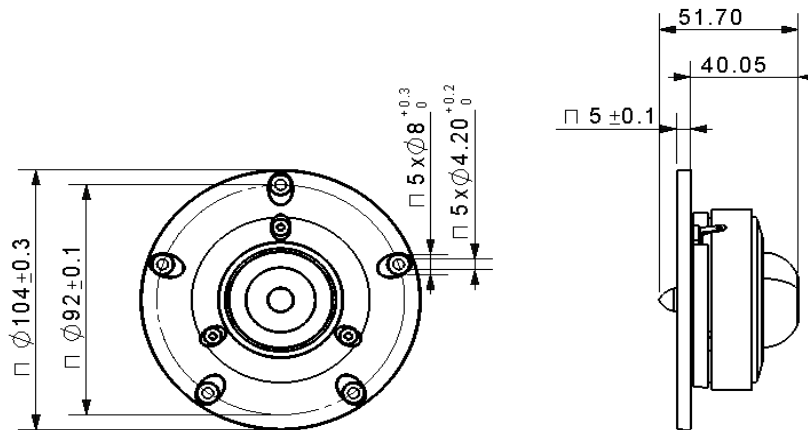


### Product Description:

This member of the XT tweeter family utilizes two Tymphany technologies to deliver exceptional sound quality: the ring radiator patent, and the central waveguide patent. This model features a 4 ohm 25mm voice coil, mounted in a ferrite magnet motor. The tweeter also features a rear chamber to create extended low frequency response. The faceplate features recessed mounting holes which minimizes reflections off of mounting screws.



### Mechanical 2D Drawing:

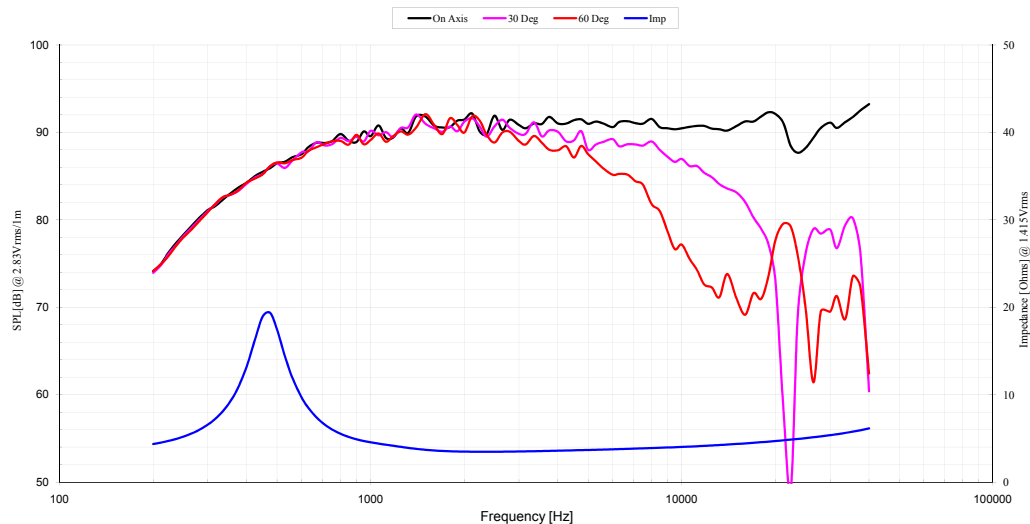


### Specifications:

DC Resistance	$R_{evc}$	$\Omega$	3.0	5.0%	Energy Bandwidth Product	EBP	$(1/Q_{es})f_s$	815
Minimum Impedance	$Z_{min}$	$\Omega$	3.5	7.5%	Moving Mass	$M_{ms}$	g	0.36
Voice Coil Inductance	$L_e$	mH	0.01		Suspension Compliance	$C_{ms}$	um/N	366.5
Resonant Frequency	$f_s$	Hz	436	15.0%	Effective Cone Diameter	D	cm	3.2
Mechanical Q Factor	$Q_{ms}$	-	2.5		Effective Piston Area	$S_D$	cm <sup>2</sup>	8.2
Electrical Q Factor	$Q_{es}$	-	0.54		Equivalent Volume	$V_{as}$	L	0.04
Total Q Factor	$Q_{ts}$	-	0.44		Motor Force Factor	BL	T·m	2.36
Ratio $f_s / Q_{ts}$	F	$f_s / Q_{ts}$	989		Motor Efficiency Factor	$\beta$	$(T \cdot m^2) / \Omega$	1.86
Half Space Sensitivity @ 2.83V	dB@2.83V/1m	dB	90.8	+/-1.0 <sup>1</sup>	Voice Coil Former Material	VC <sub>fm</sub>	-	Aluminum
Sensitivity @ 1W/1m	1W/1m	dB	na	+/-1.0 <sup>1</sup>	Voice Coil Inner Diameter	VC <sub>d</sub>	mm	25.8
					Gap Height	Gh	mm	3.5
Rated Noise Power (IEC 2685 18.1)	P	W	110		Maximum Linear Excursion	$X_{max}$	mm	0.65
Test Spectrum Bandwidth	400hz - 20khz		12 dB/Oct		Ferrofluid Type	FF		N/A
					Transducer Size		inch	1
					Transducer Mass		kg	0.5

1 - Piston Band Sensitivity Tolerance

### Frequency and Impedance Response:



F088-0713A